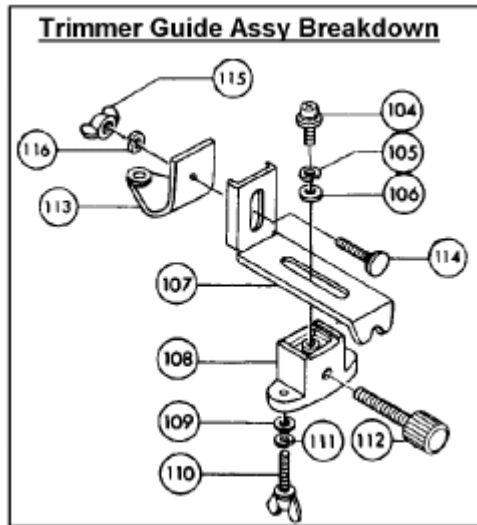


Item No.	Part No.	Description	Qty	Unit
1	251878-6	SCREW M5X20	1	PC.
2	941101-4	FLAT WASHER 5	1	PC.
3	343352-9	PRESSURE PLATE	1	PC.
4	252094-3	HEX. NUT M8	1	PC.
5	321948-6	STOPPER POLE	1	PC.
6	410960-2	DEPTH POINTER	1	PC.
7	182305-1	HOUSING SET	1	SET
	INC. 263002-9	RUBBER PIN 4	3	PC.
	INC. 263005-3	RUBBER PIN 6	1	PC.
	INC. 931202-6	HEX NUT M5	8	PC.
8	664064-4	CORD W/PLUG 2P-18-2.5M, SJ (OLD# 664013-1)	1	PC.
9	682502-4	CORD GUARD 8-85	1	PC.
10	687002-9	STRAIN RELIEF (F/SJ CORD)	1	PC.
	687001-1	STRAIN RELIEF (F/SJT CORD)	1	PC.
11	911133-5	PAN HEAD SCREW M4X18	2	PC.
12	651280-7	SWITCH SGE115CDY-5 (OLD# 651236-0 - N/L/A)	1	PC.
13	181437-1	CARBON BRUSH CB-107, 2PCS/SET	1	SET
	191904-8	AUTO CUT-OFF CARBON BRUSH CB-113, 2PCS/SET (OPTION)	1	SET
14	643605-9	BRUSH HOLDER	2	PC.
16	941202-8	FLAT WASHER 8	1	PC.
17	272221-6	LEVER 45	1	PC.
18	962065-9	RETAINING RING R-15	1	PC.
19	267047-9	FLAT WASHER 10 (OLD# 253173-0)	1	PC.
20	256652-7	PIN 10 (TYPE 1)	1	PC.
	415992-4	PIN 10 (TYPE 2)	1	PC.
21	231416-0	COMPRESSION SPRING 10	1	PC.
22	265334-0	+ HEX. BOLT M5X20 (OLD# 265335-8 M5X28)	1	PC.
		*Change Item 30 at the same time		
23	931202-6	HEX. NUT M5	1	PC.
24	265333-2	+ HEX. BOLT M5X16	1	PC.
25	931202-6	HEX. NUT M5	1	PC.
26	134437-0	STOPPER ASS'Y	1	PC.
	INC.	Item No. 22-25, 29-31		
27	216009-4	STEEL BALL 7.1	1	PC.
28	231419-4	COMPRESSION SPRING 5	1	PC.
29	251447-3	- FLAT HEAD SCREW H6	1	PC.
30	265335-8	+ HEX. BOLT M5X28 (OLD# 265334-0 M5X20)	1	PC.
		*Change Item 22 at the same time		
31	931202-6	HEX. NUT M5	1	PC.
32	259019-8	SELF LOCK 15	2	PC.
33	410834-7	BASE PLATE	1	PC.
34	912107-9	COUNTERSUNK HEAD SCREW M4X10 (TYPE 1)	4	PC.
	912112-6	COUNTERSUNK HEAD SCREW M4X10 (TYPE 2)	4	PC.
35	911206-4	PAN HEAD SCREW M5X10	2	PC.
36	154346-7	BASE COMPLETE	1	PC.
37	924216-2	WING BOLT M5X15	2	PC.
38	231417-8	COMPRESSION SPRING 10	1	PC.
39	256651-9	PIN 10	1	PC.
40	911243-8	PAN HEAD SCREW M5X25	7	PC.
41	763615-1	COLLET NUT	1	PC.
43	211275-8	BALL BEARING 6003DDW	1	PC.
44	241835-2	FAN 72	1	PC.
45	512951-0	ARMATURE ASS'Y 115V (OLD# 512891-2)	1	PC.
	INC.	Item No. 43, 44, 47		
46	522636-0	FIELD ASS'Y 115V	1	PC.
	INC. 654037-5	INSULATED TERM. FK1.25-M3 (OLD#654038-3)	2	PC.
47	211031-6	BALL BEARING 608LLB	1	PC.

Item No.	Part No.	Description	Qty	Unit
50	410896-5	CHIP DEFLECTOR	1	PC.
52	443073-4	FELT	1	PC.
53	443074-2	FELT	1	PC.
54	231240-1	COMPRESSION SPRING 7	2	PC.
101	652008-6	P.H.SCREW M3.5X7 (TYPE 2)	2	PC.
102	654532-5	TERMINAL BLOCK 1P (TYPE 2)	1	PC.
ACCESSORIES				
A01	781203-2	WRENCH 13 (TYPE 1)	1	PC.
	781006-4	WRENCH 13 (TYPE 2)	1	PC.
A02	781011-1	WRENCH 22	1	PC.
A03	781213-9	WRENCH 8	1	PC.
A05	164834-6	STRAIGHT GUIDE	1	PC.
A06	824283-6	PLASTIC CARRYING CASE	1	PC.
A07	763637-1	1/4" COLLET CONE	1	PC.
	763619-3	3/8" COLLET CONE	1	PC.
A08	321492-3	TEMPLER GUIDE ADAPTOR	1	PC.
A09	-----	TEMPLER GUIDE (SEE CATALOGUE FOR DETAILS)	1	PC.
A10	122385-5	TRIMMER GUIDE ASSY	1	PC.
		(SEE NEXT PAGE FOR PARTS BREAKDOWN)	1	PC.
A11	192035-6	VACUUM HEAD SET	1	PC.
A12	192279-8	HOSE 1-3/32 X9.6ft	1	PC.
A13	193358-5	STRAIGHT GUIDE WITH MICRO ADJUSTMENT	1	PC.
A14	-----	ROUTER BIT (SEE CATALOGUE FOR DETAILS)	1	PC.

Part No. 122385-5



Item No	Part No	Description	Qty	Unit
104	911143-2	P.H.SCREW M4X22	1	PC.
105	942151-2	SPRING WASHER 6	1	PC.
106	941151-9	FLAT WASHER 6	1	PC.
107	342427-1	PLATE HOLDER	1	PC.
108	312038-6	TRIMMER GUIDE HOLDER	1	PC.
109	941151-9	FLAT WASHER 6	2	PC.
110	924346-9	THUMB SCREW M6X30	2	PC.
111	942151-2	SPRING WASHER 6	2	PC.
112	251879-4	SCREW M10X65	1	PC.
113	163263-0	ROLL	1	PC.
114	923211-9	COUNTERSUNK SQUARE NECK BOLT M5X12	1	PC.
115	934201-7	WING NUT 5	1	PC.
116	942101-7	SPRING WASHER	1	PC.

(For Model : 3620, RP0900K)